

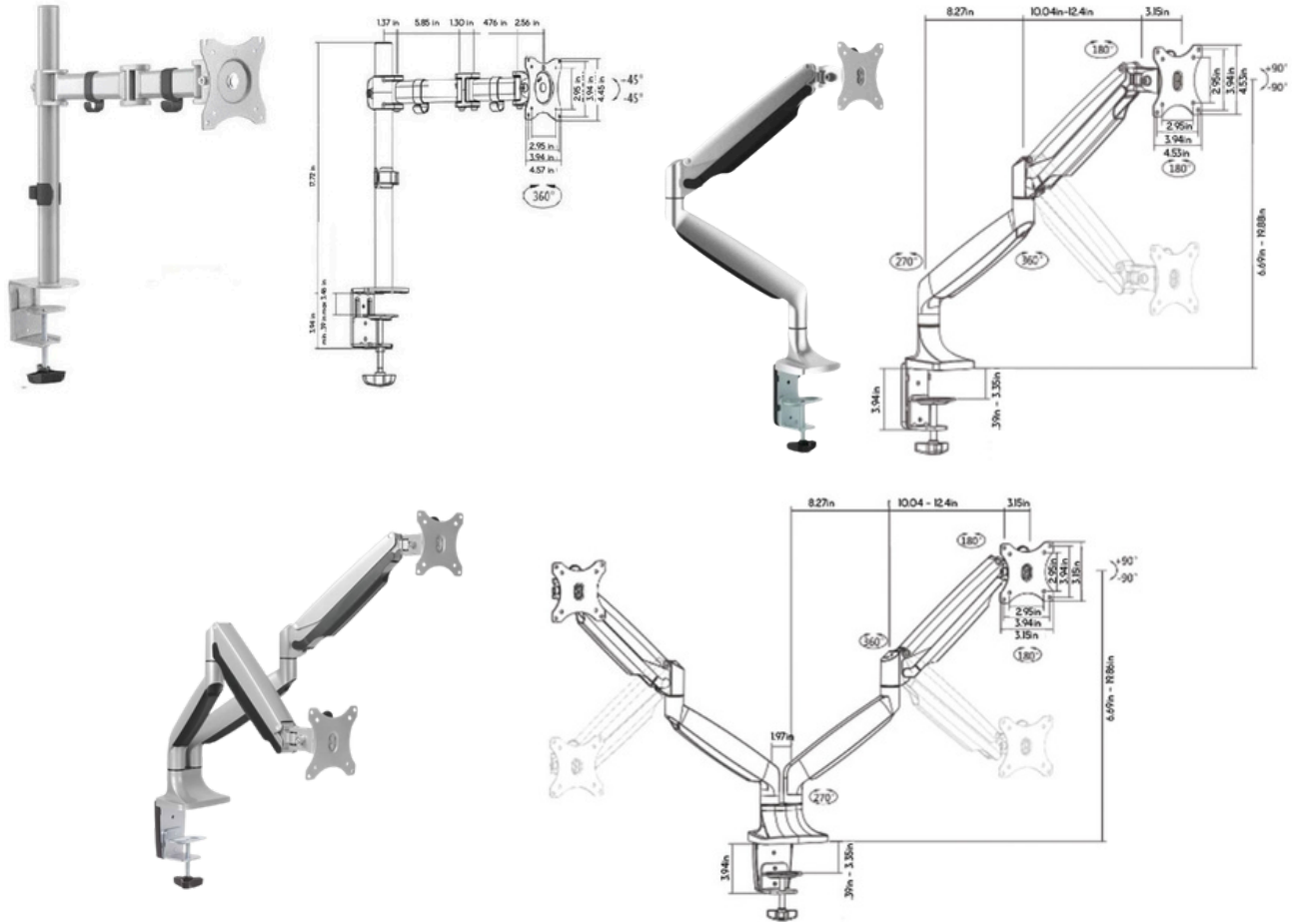
Monitor Arms



GATEWAY
office furniture

gatewayofficefurniture.com | 800.815.1224

Monitor Arms



Screen Size



Tilt Range



Swivel Range



Screen Rotation



VESA Compatible



Curved Monitor



Cable Management

602
701
712
MAD

13-27
17-32
17-45

+45/-45
+45/-45
+90/-90

+90/-90

+180/180
+180/180
+180/180

75x75 100x100

Products	SKU	Weight	List Price
Single Simple	5TAM0601SV	10 lbs	\$218
Single Gaslift	5TAM0701SV	10 lbs	\$393
Dual Gaslift for 24" + tops only	5TAM712SV	12 lbs	\$641
Dual Gaslift - for 30" tops only	5CMADSV	15lbs	\$641

List prices are suggested prices, and are subject to change without notice. Colors shown are representation only.