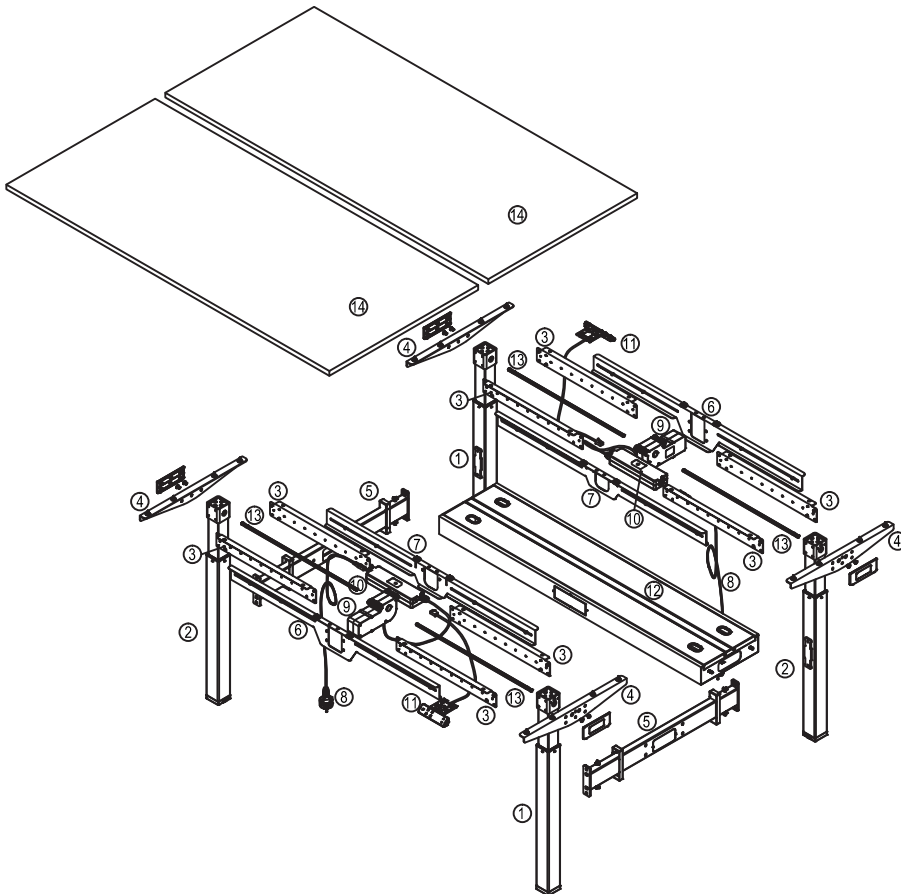
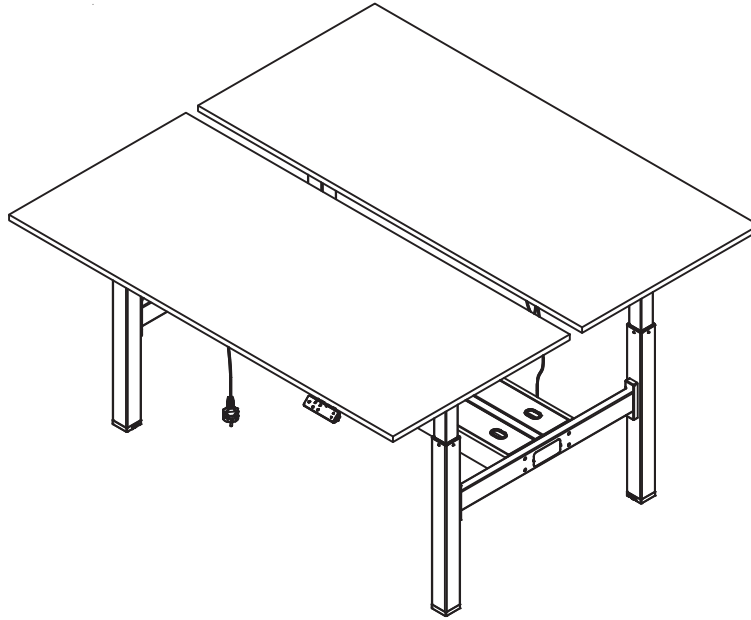


Double Sit Stand Installation Instructions

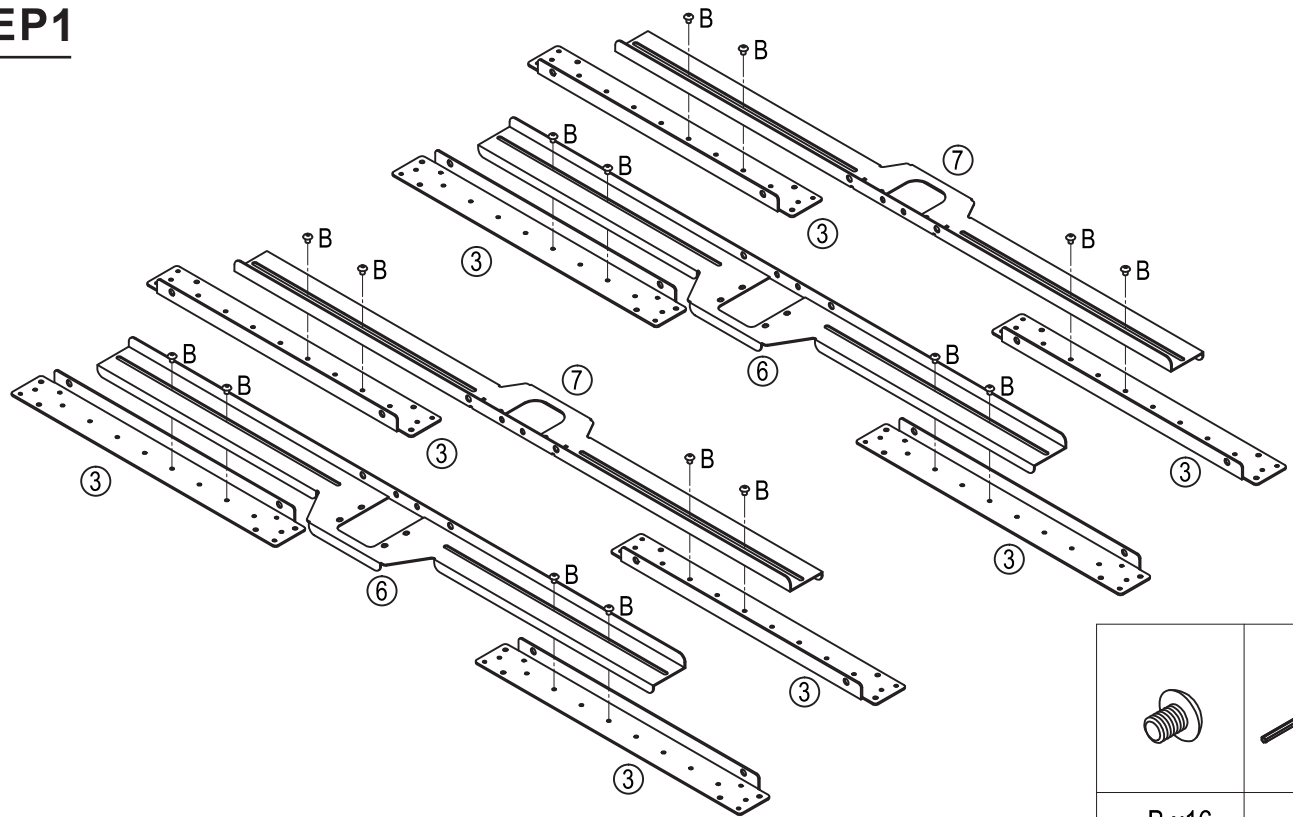
Item No.: 5CSD-SSBE2-SV2



No.	Image	Spec	Qty
A		M8x12	8
B		M6x8	32
C		M6x10	8
D		ST4.8x16	28
E		M6x12	8
F		4mm	1
G		5mm	1
H		STE3x19	4
I			1
J			8
K			16
L			4
M			4
N			4
O		M6x16	4

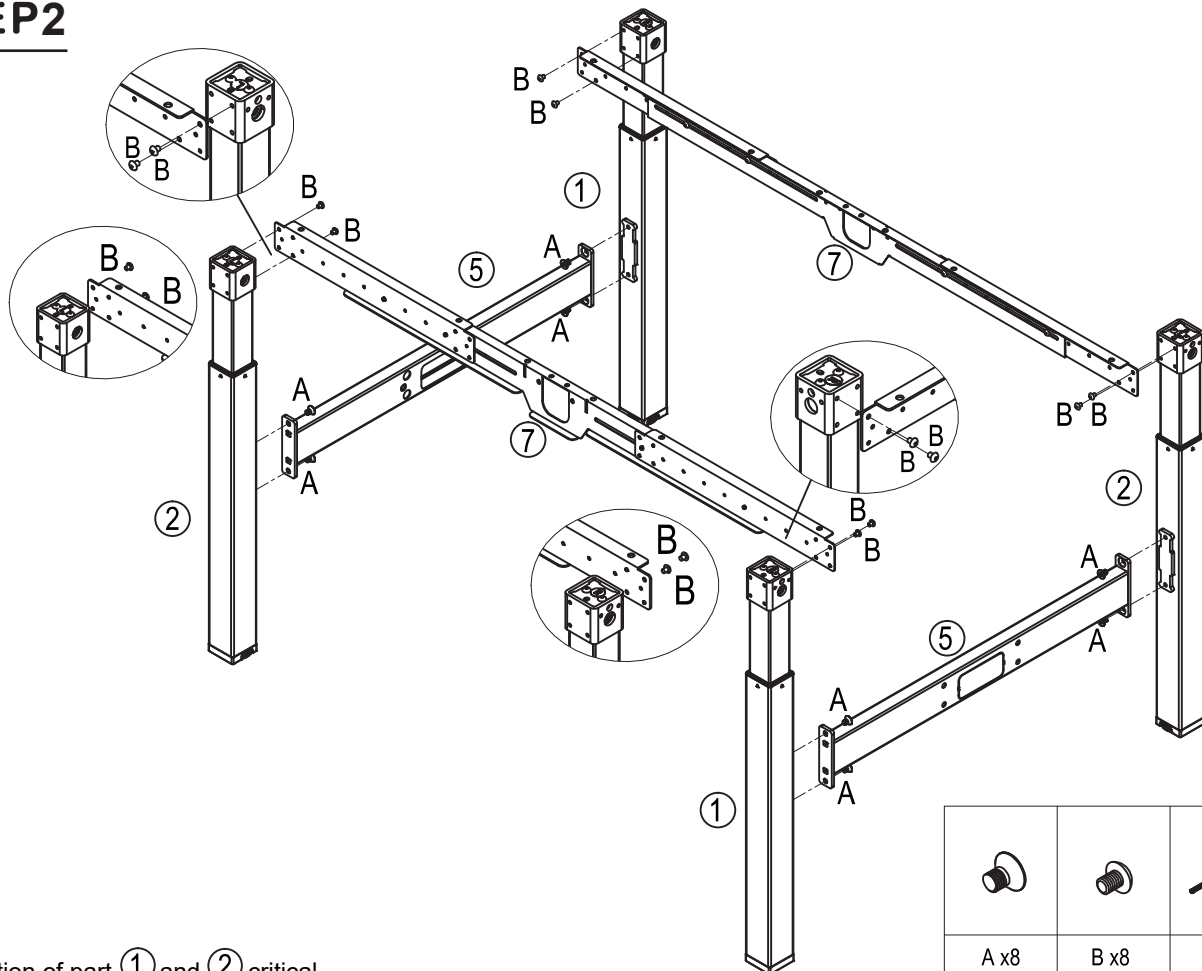


STEP 1



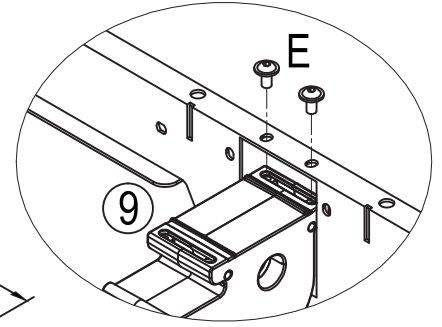
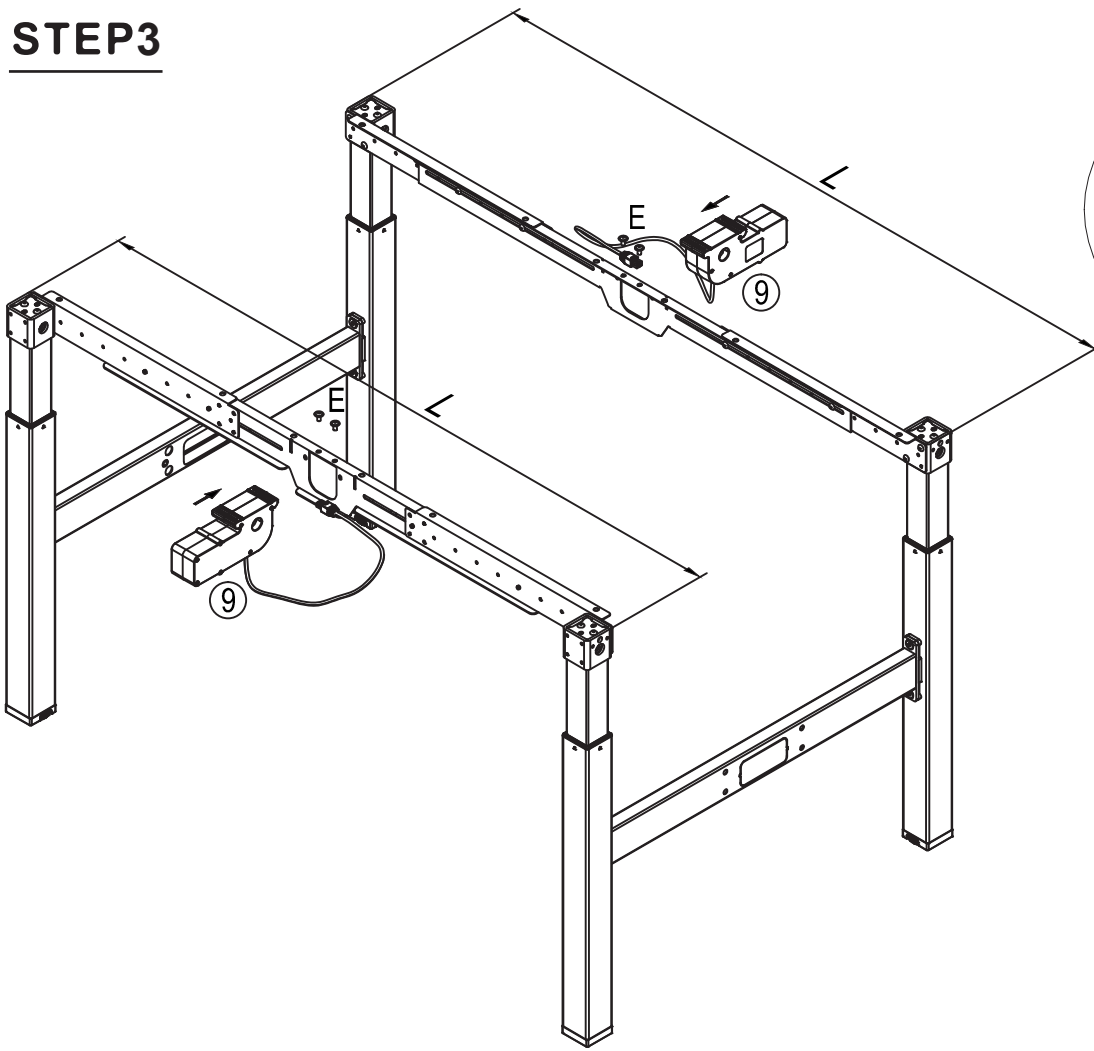
Do not fully tighten B screws until step 3 and 5.



STEP 2



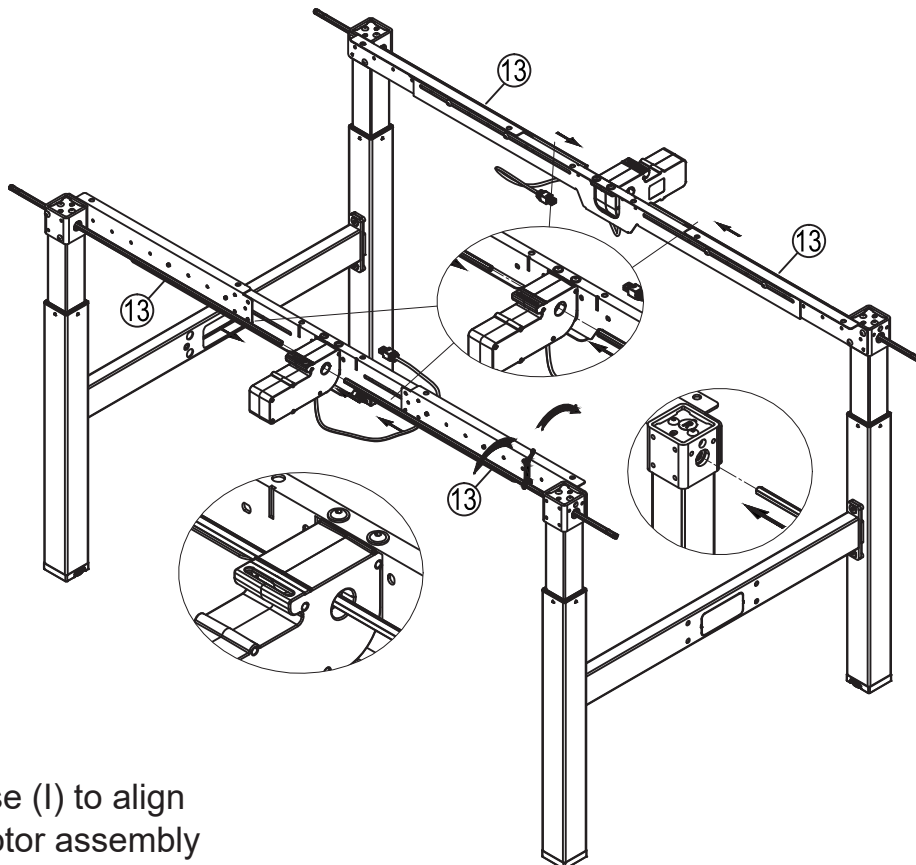
Orientation of part ① and ② critical

STEP3




	
E x4	F x1

STEP4



If necessary, use (I) to align hex rod with motor assembly


I x1