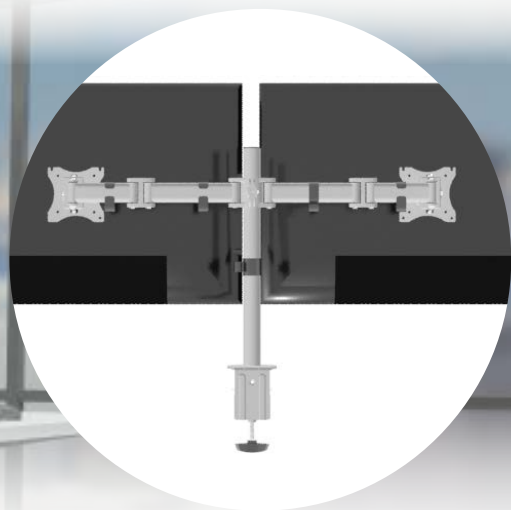
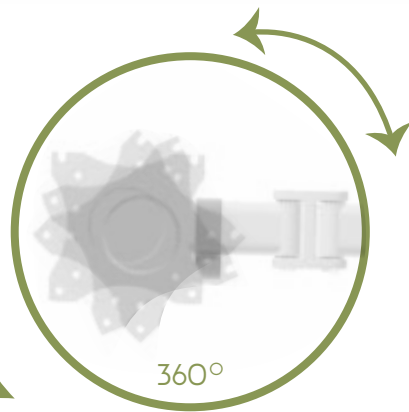
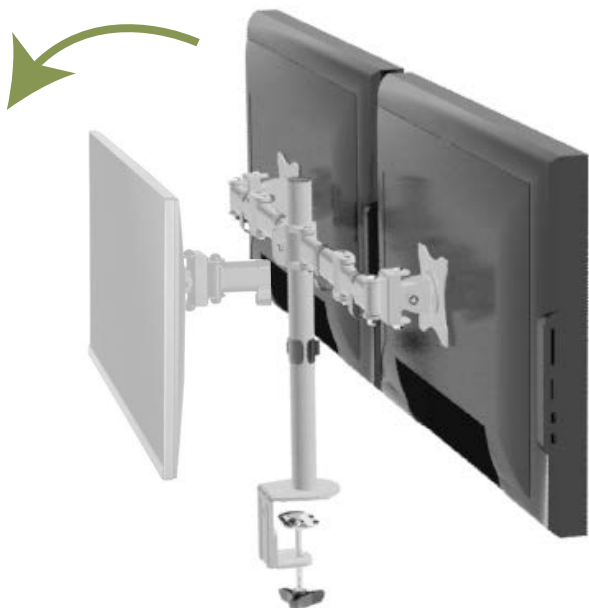


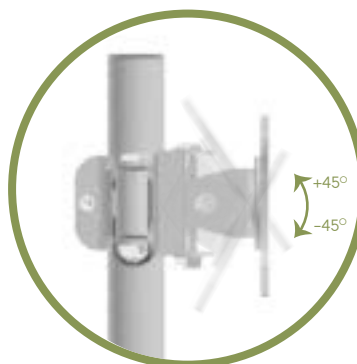
# Monitor Arms Height Adjustable



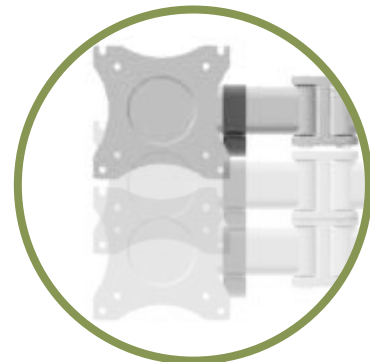
Swivel monitors right and left for maximum viewing flexibility



Portrait and landscape orientation



Freely adjusting height for an optimal ergonomic position



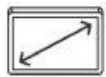
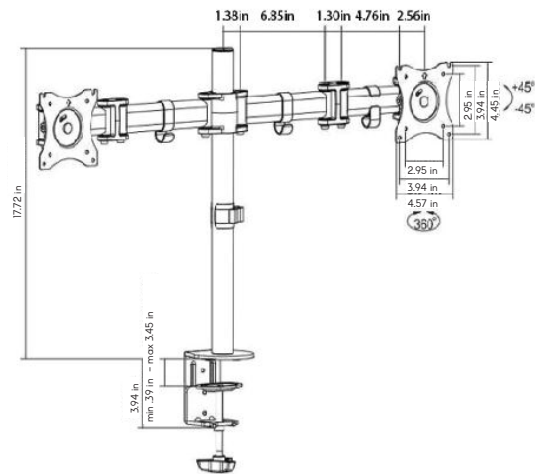
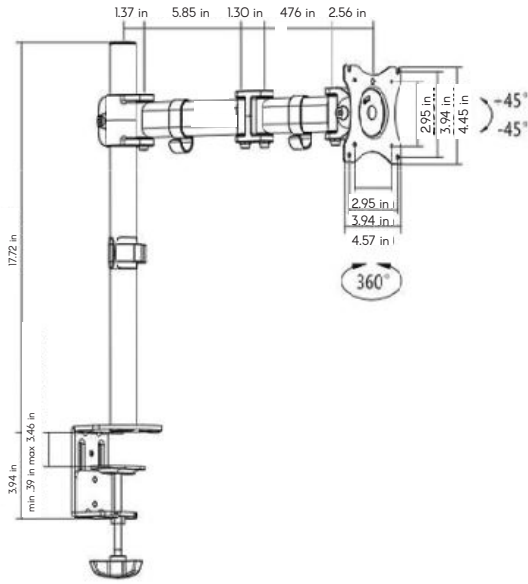
Freely adjusting height for an optimal ergonomic position



# GATEWAY office furniture

800.815.1224 | [gatewayofficefurniture.com](http://gatewayofficefurniture.com)

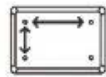
# Monitor Arms Height Adjustable



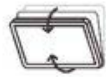
Screen Size  
13"-27"



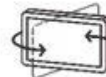
Weight Capacity  
8kg/17.6lbs



VESA Compatible  
75x75 100x100



Tilt Range  
+45° ~ -45°



Swivel Range  
180°



Screen Level  
360°



Cable Management

Products	SKU#	Weight	List Price
Single Simple Height Adjustment	5TAM0601SV	10 lbs	\$185
Dual Simple Height Adjustment	5TAM0602SV	12 lbs	\$229